

68-20 Cam Latch

Medium · Folding bail handle · Adjustable grip

Features

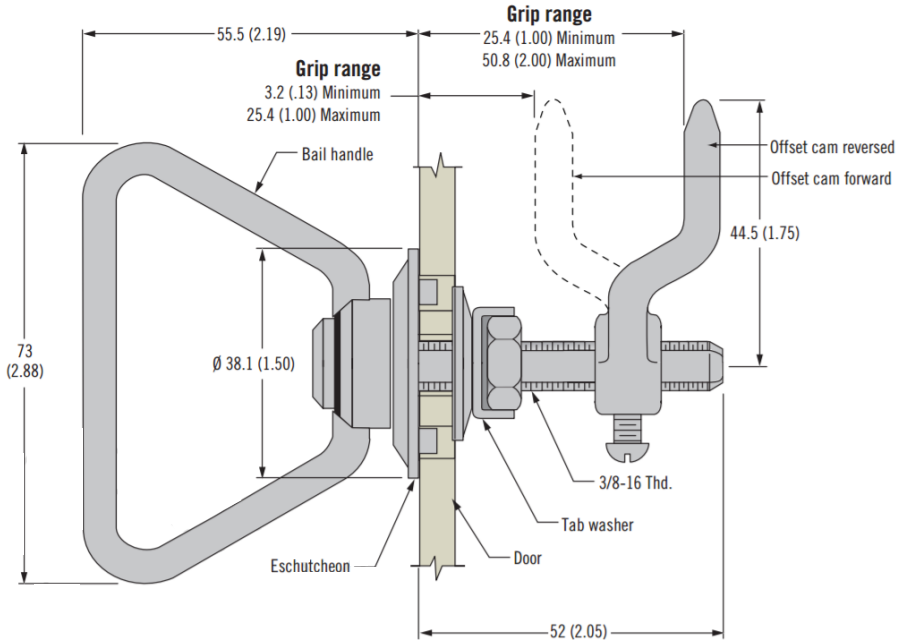
- Robust design
- 90° rotation

Material

- Zinc alloy and steel, zinc plated

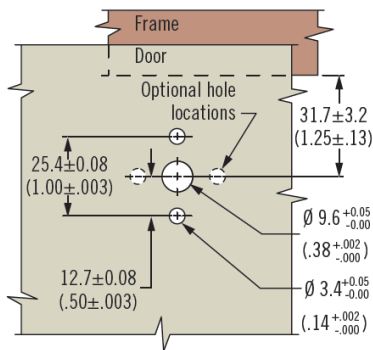
Product Performance

- Maximum static load: 890 N



Bail Handle Orientation and Operation

(Shown in latched position)



Type "A" (Turn clockwise to latch)	Type "B" (Turn counter-clockwise to latch)
Bail parallel to edge of door when latched	Bail parallel edge of door when latched
Bail perpendicular to edge of door when latched	Bail perpendicular to edge of door when latched

68 - 20 - 101 - **F**

- F** Finish
- 10 Zinc plate bright chromate
 - 20 Chrome plated